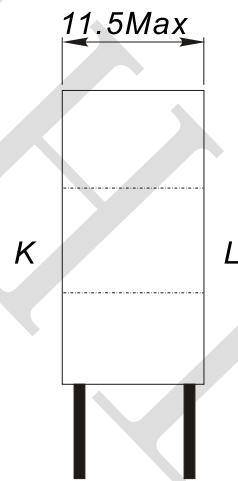
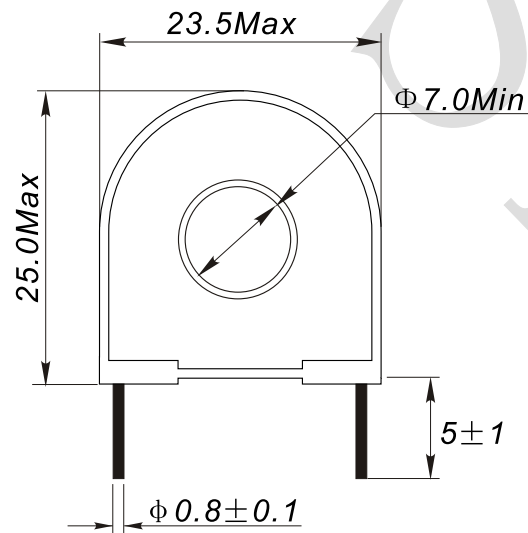


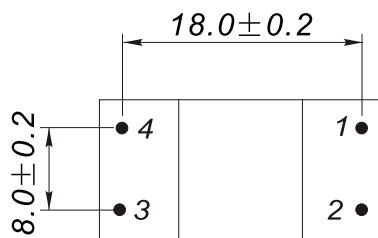
Rev.	Description	Date
A0	New release	2015.06.30

1. PHYSICAL CHARACTERISTICS (mm)



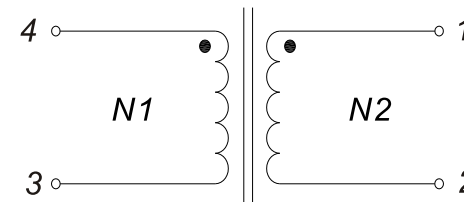
Left view

K: Shell side
L: potting side



Bottom view

2. ELECTRONICAL SCHEMATIC



3. ELECTRONICAL SPECIFICATIONS

DCR: N1: 80Ω Max

N2: 80Ω Max

Rated current ratio: 1:1

Rated pri current: 2mA

Rated sec current: 2mA

Phase error at rated current range: <10'

Ratio error at fixed point: <0.1%

Linear range: 5~120%

Hi-Pot: 3.0KV/1mA/1min

Insulation voltage: 500V/100MΩ Min

Operating Temperature: -25°C to +75°C

Storage Temperature: -40°C to +85°C

NOTES:

Temp 20°C 48%RH

RoHS Compliant

NAME:	Voltage Transformer		
CUSTOMER P/N:		DATE:	2015-06-30
SHINHOM P/N:	VT010-80	REV: A0	PAGE
DRAWN BY	CHECKED BY	APPROVE BY	



SHINHOM

SHAANXISHINHOM ENTERPRISE CO LTD

TEL:+86-029-87851838
FAX:+86-029-87851840
ZIP:710054
Http://www.shinhom.com
E-mail:shinhom@globalsources.com
sales@shinhom.com.cn
NO. 8, Yanta Northern Road, Xi'an Shaanxi Pro. China