

THROUGH-HOLE RADIAL HIGH CURRENT POWER CHOKES

AIRD 04 SERIES

FEATURES:

- High Saturation Material
- Polyolefin Shrink Tubing
- Low DC Resistance
- High Reliability Low cost

COMMON APPLICATIONS:

- Switching Regulators
- RFI Suppression Filters
- SCR and TRIAC Controls
- Automotive Systems



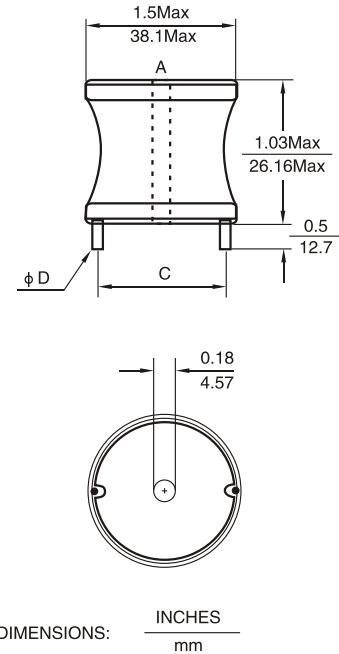
STANDARD SPECIFICATIONS

Part Number	L (μH) @1KHz	DCR (Ω Max)	IDC (A Max)	Dim(Inches/mm) C Approx.	Dim(Inches/mm) D Nom.
AIRD04-1R8M	1.8	0.002	27	1.11/28.19	0.081/2.05
AIRD04-2R2M	2.2	0.002	27	1.11/28.19	0.081/2.05
AIRD04-2R7M	2.7	0.003	27	1.11/28.19	0.081/2.05
AIRD04-3R3M	3.3	0.003	27	1.11/28.19	0.081/2.05
AIRD04-3R9M	3.9	0.003	27	1.11/28.19	0.081/2.05
AIRD04-4R7M	4.7	0.003	27	1.11/28.19	0.081/2.05
AIRD04-5R6M	5.6	0.004	27	1.11/28.19	0.081/2.05
AIRD04-6R8M	6.8	0.004	27	1.15/29.21	0.081/2.05
AIRD04-8R2M	8.2	0.004	27	1.15/29.21	0.081/2.05
AIRD04-100K	10	0.005	27	1.15/29.21	0.081/2.05
AIRD04-120K	12	0.005	27	1.15/29.21	0.081/2.05
AIRD04-150K	15	0.006	27	1.15/29.21	0.081/2.05
AIRD04-180K	18	0.008	27	1.15/29.21	0.081/2.05
AIRD04-220K	22	0.009	21	1.15/29.21	0.081/2.05
AIRD04-270K	27	0.010	21	1.15/29.21	0.081/2.05
AIRD04-330K	33	0.011	21	1.15/29.21	0.072/1.82
AIRD04-390K	39	0.012	21	1.15/29.21	0.072/1.82
AIRD04-470K	47	0.018	14.4	1.15/29.21	0.072/1.82
AIRD04-560K	56	0.019	14.4	1.15/29.21	0.064/1.62
AIRD04-680K	68	0.021	14.4	1.15/29.21	0.064/1.62
AIRD04-820K	82	0.023	14.4	1.15/29.21	0.064/1.62
AIRD04-101K	100	0.025	14.4	1.15/29.21	0.064/1.62
AIRD04-121K	120	0.028	14.4	1.15/29.21	0.057/1.44
AIRD04-151K	150	0.040	14.4	1.15/29.21	0.057/1.44
AIRD04-181K	180	0.045	14.4	1.15/29.21	0.057/1.44
AIRD04-221K	220	0.050	14.4	1.15/29.21	0.051/1.37
AIRD04-271K	270	0.056	14.4	1.15/29.21	0.051/1.37
AIRD04-331K	330	0.074	14.4	1.15/29.21	0.051/1.37
AIRD04-391K	390	0.082	9.0	1.15/29.21	0.045/1.14
AIRD04-471K	470	0.114	7.2	1.15/29.21	0.045/1.14
AIRD04-561K	560	0.125	7.2	1.15/29.21	0.040/1.01
AIRD04-681K	680	0.139	7.2	1.15/29.21	0.040/1.01
AIRD04-821K	820	0.154	7.2	1.15/29.21	0.040/1.01
AIRD04-102K	1000	0.216	5.5	1.15/29.21	0.040/1.01
AIRD04-122K	1200	0.232	5.5	1.14/28.95	0.036/0.91
AIRD04-152K	1500	0.324	4.5	1.14/28.95	0.036/0.91
AIRD04-182K	1800	0.360	4.5	1.14/28.95	0.036/0.91
AIRD04-222K	2200	0.494	4.0	1.10/27.94	0.032/0.81
AIRD04-272K	2700	0.555	4.0	1.12/28.44	0.032/0.81
AIRD04-332K	3300	0.773	2.8	1.10/27.94	0.029/0.73
AIRD04-392K	3900	0.845	2.8	1.10/27.94	0.029/0.73
AIRD04-472K	4700	1.14	2.0	1.12/28.44	0.029/0.73
AIRD04-562K	5600	1.60	2.0	1.09/27.68	0.025/0.64
AIRD04-682K	6800	1.76	1.6	1.12/28.44	0.025/0.64
AIRD04-822K	8200	1.95	1.6	1.09/27.68	0.023/0.58
AIRD04-103K	10000	2.76	1.3	1.11/28.19	0.023/0.58
AIRD04-123K	12000	3.04	1.3	1.08/27.43	0.020/0.51
AIRD04-153K	15000	3.39	1.3	1.10/27.94	0.020/0.51

Note: 1. K= ± 10%, M= ± 20%

Note: All specifications subject to change without notice.

PHYSICAL CHARACTERISTICS



ELECTRONICAL SCHEMATIC



TECHNICAL INFORMATION:

- Inductance Testing: ,HP4284A,HP4285A or equivalent
- RDC:QuadTech 1880 Milliohmmer
- Rated Current L value drop10%typ.at I_{DC} against its initial value
- Temperature rise 40°CMax Reference ambient temperature
- Solderability: 75% of the lead wire shall be covered
- Soldering Methods: Wave,Reflow
- Operating Temperature:-25°C to +85°C
- Storage Temperature: -55°C to +125°C
- Terminal bending strength:24.5N Min
- Moisture resistance: ΔL/L ≤ ± 10% ΔQ/Q ≤ ± 25%